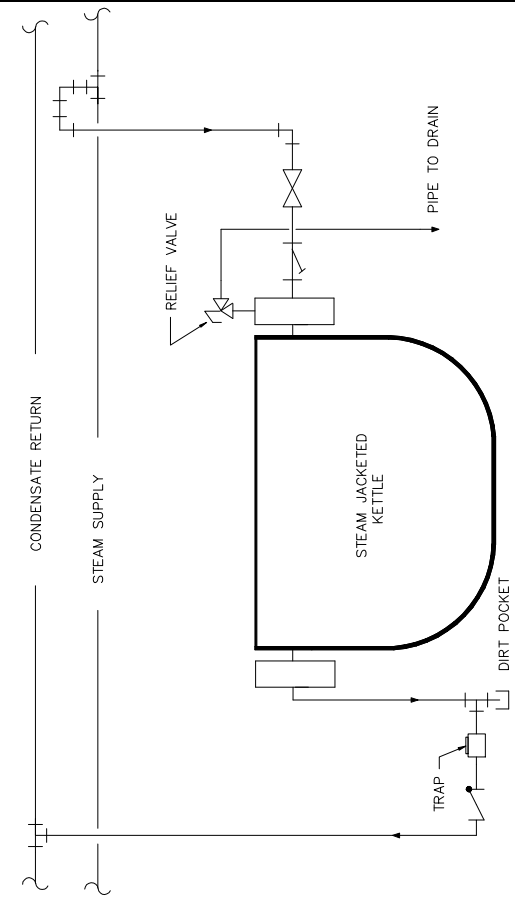
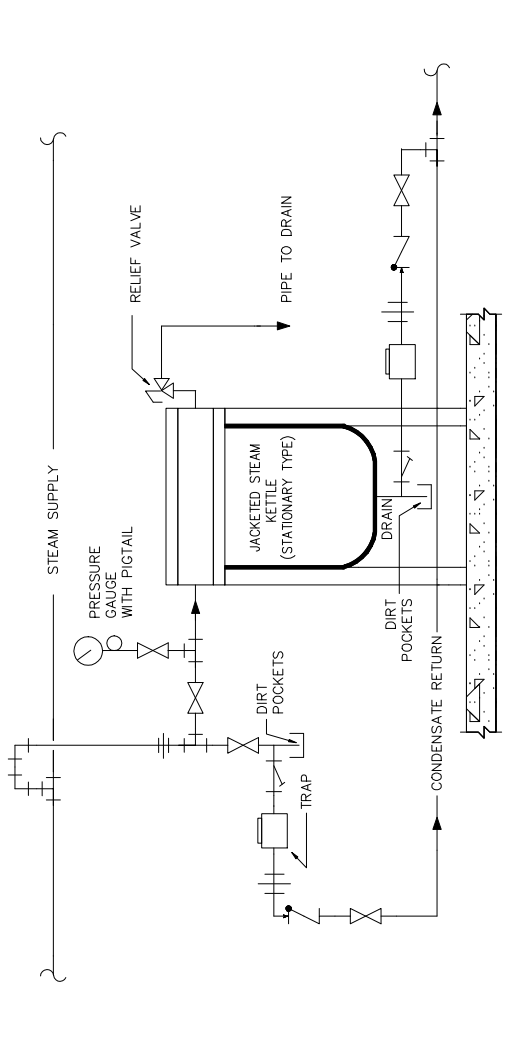


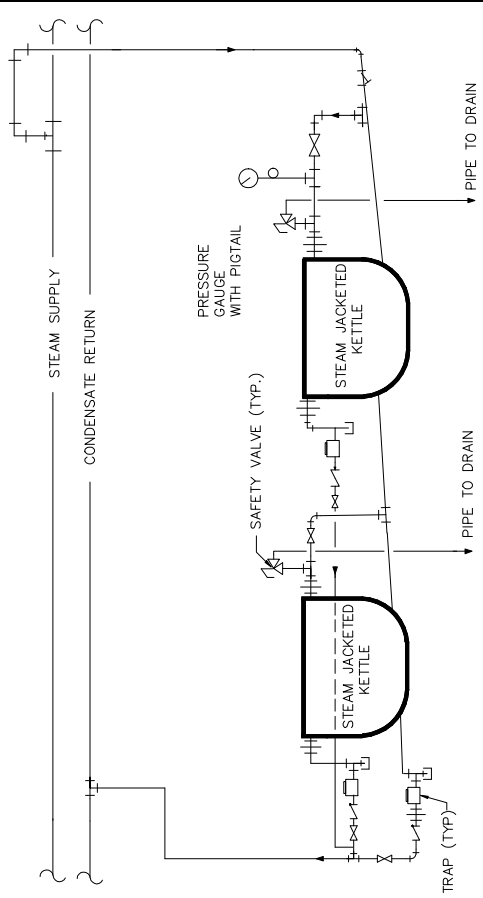
PARKER BOILER - RECOMMENDED STEAM PIPING



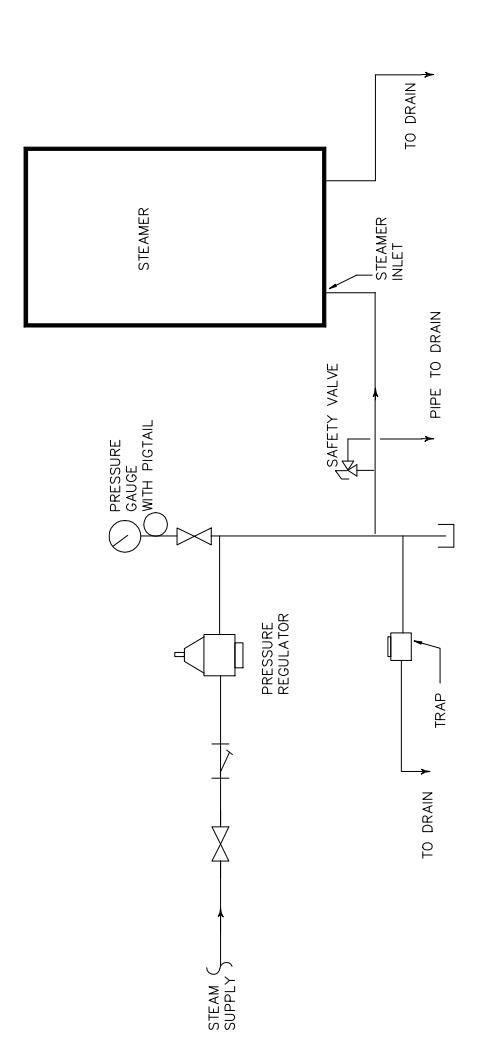
TYPICAL TILTING JACKETED STEAM KETTLE



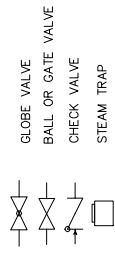
TYPICAL STATIONARY JACKETED STEAM KETTLE



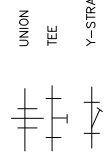
MULTIPLE STEAM KETTLES-STATIONARY OR TILTING -



TYPICAL STEAMER PIPING



KEY TO SYMBOLS



NOTE: SLOPE ALL STEAM AND CONDENSATE PIPING ONE FOOT IN DIRECTION OF FLOW.

USED ON	1-1/2 TO 150 HP STEAM BOILERS	PART NAME	TYPICAL STEAM PIPING DETAILS	101-RSP2.DWG
FOR	PARKER STEAM BOILERS - RECOMMENDED STEAM PIPING			
DR.	ABB	DATE	6D	SCALE
CH.	MJL	6C	CADD DRWG.	
APPROVED	PARKER BOILER CO. 5930 BANDINI BLVD. LOS ANGELES, CA 90040			
			SUPERSEDES NO.	6C
			DWG. NO.	101-105-RSP2